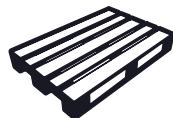
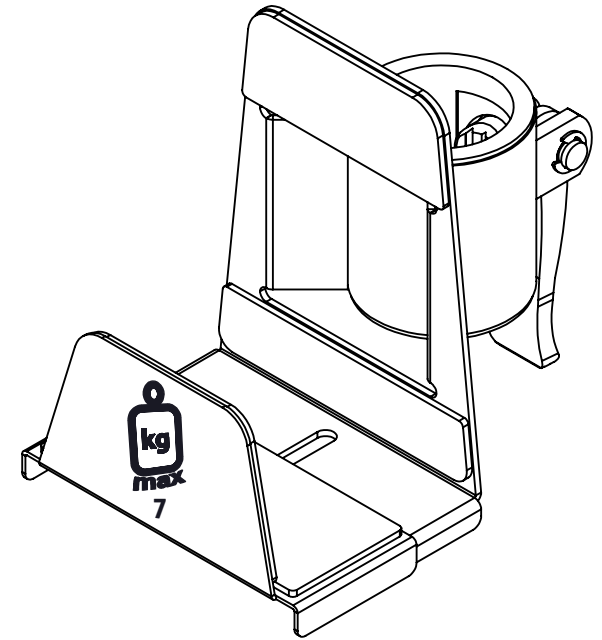
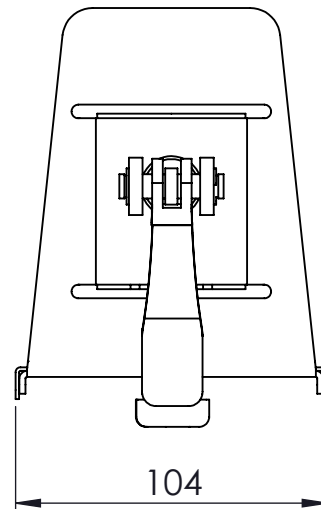
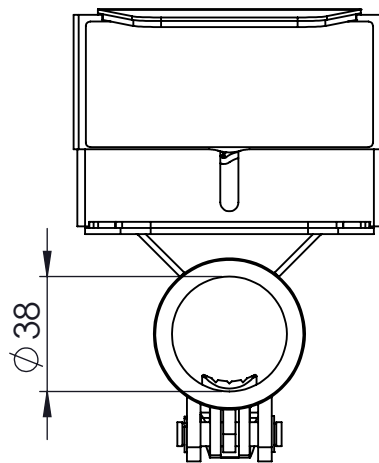
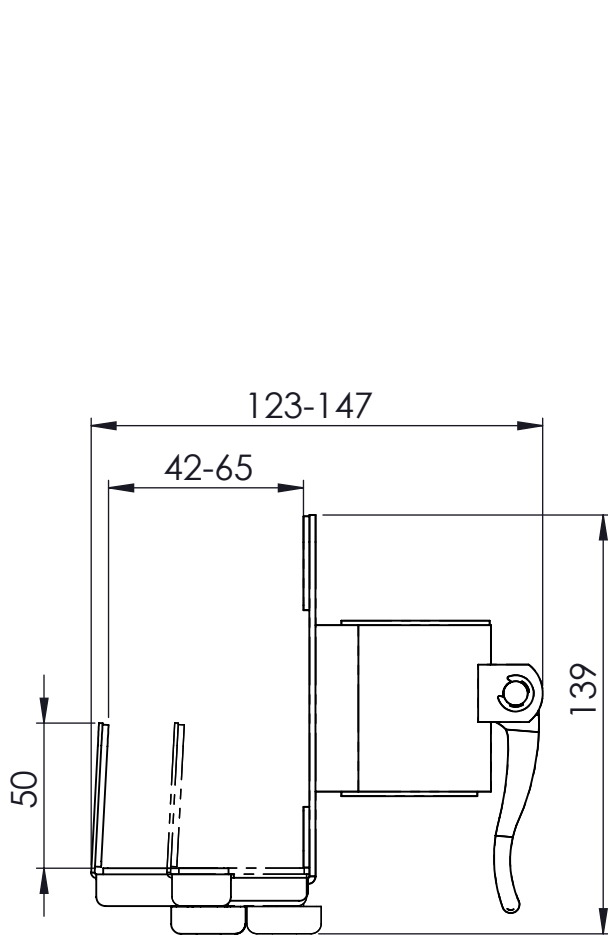


# Datasheet 52402



420 pcs.  
800x1200x2150  
336 kg